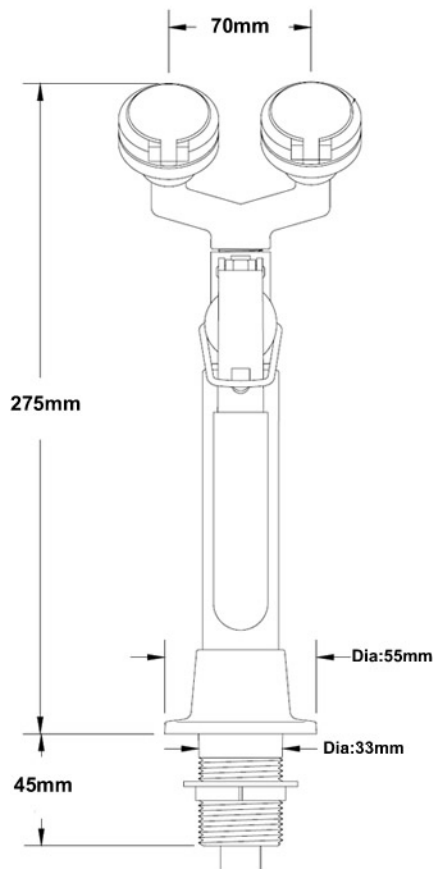


C100

Decked Mounted Pull Out Eye Washer with 1.5m hose

Specification:

- 1.Main Body:Chrome plated forged brass
- 2.Valve: Brass squeeze valve actived by stainless steel 304 lever handle. Valve has replaceable stainless steel 304 seat for exceptional durability.Locking clip engages when handle is depressed.Provide hands-free operation.Valve stay open until locking clip is released.
- 3.Sprayer: 2 spray heads with dust cover
- 4.Hose: 1.5 meter long
- 5.Water working pressure: 0.2MPA-0.8MPA.
- 6.Supply: 1/2" IPS/NPT
- 7.Original water: Clean water or leached water.
- 8.Package: Carton size: 37*23*11CM
1 set per export carton
G.W.: 2KG N.W.: 1.5KG



Meets ANSI Z358.1
EN15154-1&2